



## *Illustrated Parts List*



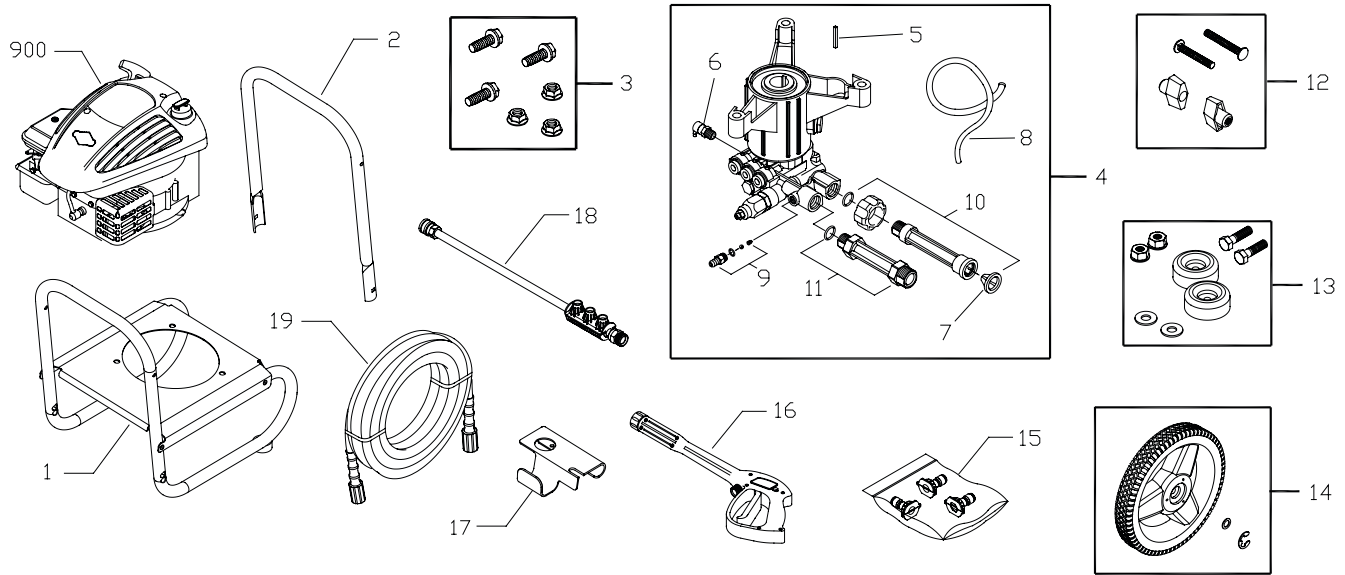
Questions? Help is just a moment away!  
Call: Pressure Washer Helpline  
1-800-743-4115 M-F 8-5 CT

This pressure washer is rated in accordance to the Pressure Washer Manufacture Association (PWMA) standard PW101 (Testing and Rating Performance of Pressure Washers).

**Briggs & Stratton Power Products group, LLC**  
**Jefferson, Wisconsin, U.S.A.**

Model No. 020439-1 2200 PSI Pressure Washer IPL No. 312624 Revision - (02/25/2010)

# Exploded View and Parts List



Item	Part #	Description
1	311997GS	BASE
2	206781BSGS	HANDLE
3	203526GS	KIT-HARDWARE PUMP MOUNTING
4	311554GS	PUMP
5	23139GS	KEY
6	208673GS	VALVE-THERMAL RELIEF
7	B2384GS	FILTER-GARDEN HOSE
8	310975GS	HOSE-CHEMICAL
9	192914GS	KIT-CHEMICAL INJ
10	201496GS	KIT-WATER INLET
11	201497GS	FITTING
12	B2203GS	KIT-HARDWARE, HANDLE
13	192310GS	MOUNT-VIBRATION
14	208619GS	KIT-WHEEL
	192050GS	E-RING
15	207977GS	KIT-QC NOZZLES
	198841GS	NOZZLE-QC BLACK
	195983AEGS	NOZZLE-QC RED
	195983AGGS	NOZZLE-QC GREEN
16	204627GS	GUN

Item	Part #	Description
17	206813GS	HOLDER-ACC
18	207790GS	EXTENSION-QC
19	196006GS	HOSE
900	§	ENGINE

### Items Not Illustrated

312542GS	MANUAL-OPERATOR'S
BB3061BGS	OIL
B1797GS	CLIP
794693	LABEL-WARNING
311582GS	DECAL-Unit
793973	SHROUD/LABEL ASSY
311579GS	DECAL-Shroud
208410GS	AXLE
195015GS	TAG-WARNING

### Optional Accessories

6048	O-RING MAINTENANCE
6039	PUMP SAVER

§ - Contact Engine Manufacturer

Copyright © 2010 Briggs & Stratton Power Products Group, LLC. All rights reserved. No part of this material may be reproduced or transmitted in any form without the express written permission of Briggs & Stratton Power Products Group, LLC.